

TSCA 65 D

Automatic Sealing/Clipping Machine



innovative · reliable · leading



TSCA 65 D

- Fully automatic, self-monitoring processes
- Excellent price/performance ratio
- Safe, tight clip closure without damage to film
- Packaging units from 18 to 65 mm in diameter
- For all pasty products, such as adhesives, sealants and explosives

Applications

The TSCA 65 D (automatic sealing/clipping machine) forms roll stock film into a ready-to-be-filled tube which is formed around the stuffing horn and is safely closed by the integrated clipping head to form a clip-pak®. clip-pak® is the cost-effective packaging solution with minimal use of material. All current types of film, coated and uncoated, as well as sandwich film can be processed. The film rolls hold up to 2,300 metres (65 µm). All pasty products, such as adhesives, sealants and explosives as well as dental compounds, fillers and 2-component products are automatically packed – clean and safe.

Advantages

- Compact, space-saving design for easy handling
- Automatic self-monitoring processes (clip, film, metering pump cycle time, breakage etc.)
- A unit which guarantees tight sealing of film and safe clip closure from a single source
- Central display:
 - reliable control of all production processes
 - display in local language
 - simple programming
 - program memory
- Smooth running, even at high cycle speed and during continuous operation



Efficient packaging of explosives using the TSCA 65 D

- Safe and simple to run, easy to clean design for low operating costs

Automatic sealing process

- Considerable savings:
 - economical flat film
 - continuous production
 - less storage space required for material
 - optimum use of material due to minimum overlap of film at the seam
 - easy adaptable to folded seam (Finseal)
- Easy to clean:
 - closed system
 - smooth surfaces

- Only one part in touch with product (stuffing horn)
- Flexibility of diameter up to 65 mm
- Diameter changes in a few minutes
- Continuous automatic adjustment of temperature and sealing speed
- Considerably less waste compared to cartridges and other packaging

Application example: clip-pak® with adapter cartridge (re-usable) and hand or air gun



The TSCA 65 D heat-sealing station



Double-clip process

- Maximum use of material due to firm filling
- Longer shelf life compared to cartridges due to air-free filling directly into final package
- Short, clean clip-pak[®] product ends due to voiding separator
- Safe and tight clip closure without damage to film
- Product protection by tamper-proof closure

Optional equipment

- HDP Hydraulic Dosing Pump
 - HDP 30 or 40 (up to 30 resp. 40 cycles/min.)
 - Fully automatic weight control by scales with tendency control
 - Quick breakage control with automatic machine stop
- Product identification with integratable printer, e.g. ink-jet, hot stamp, thermotransfer
- Simple and reliable marking of batches during production using printing on flat film or film tube
- Overspreading for loose filling

Function and operation

The TSCA 65 D consists of a synchronised sealing/clipping unit and builds a continuously operating production line with the upstream filling unit. Both production processes are operator friendly and can be easily programmed via the central

Volumetric dosing of HDP – high accuracy of filling quantity



TSCA 65 D with HDP 30 (Hydraulic Dosing Pump) used for sealants and adhesives up to 65 mm diameter

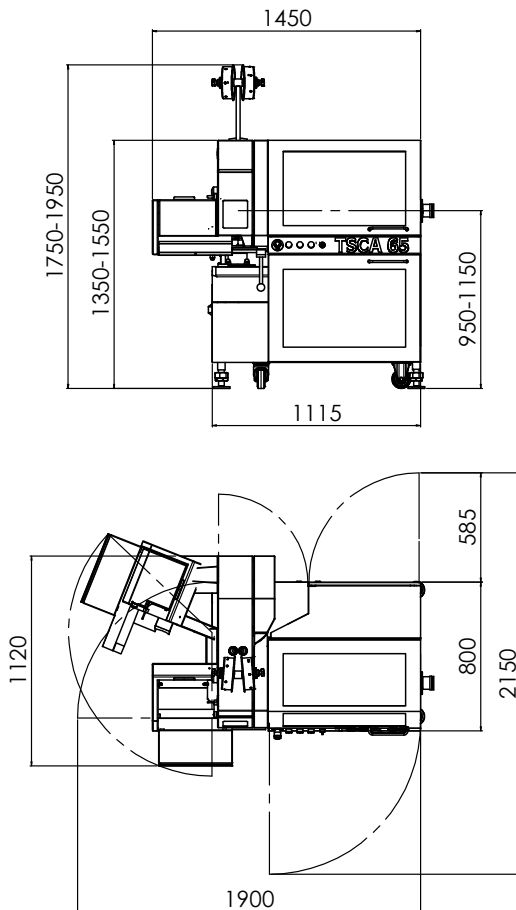
touch panel. Set-up and system control are protected by access codes and set on different levels identified by colour. The automat is operated via five buttons on the control panel. The roll stock film is slipped onto a self-fixing roll carrier. The roller guide system ensures a constant input tension of the film unwinding via an dancing roll system. The forming shoulder forms the flat film around the stuffing horn into a still open tube. Then the side seam is sealed with a minimal overlap by heat sealing. To prevent a runback of the product, the end of the stuffing horn is sealed by an inner calibre ring towards the tube so that even liquid products are filled to a precise preset weight.

TSCA 65 D/HDP

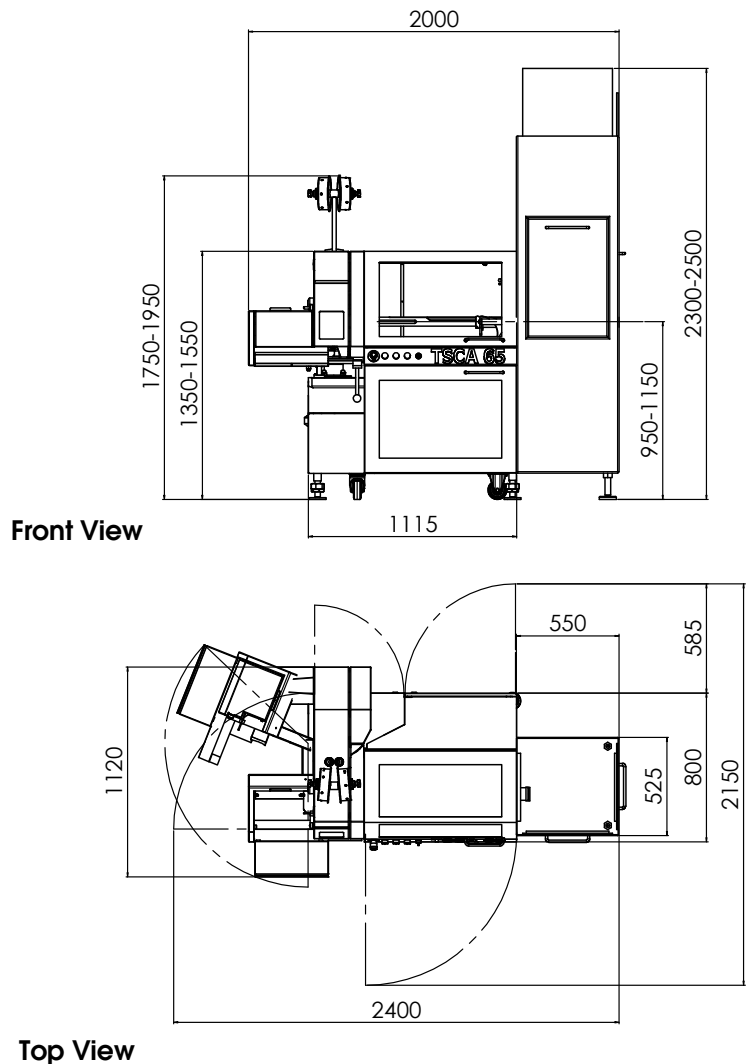
HDP – the Hydraulic Dosing Pump is designed for medium and high viscosity chemical/technical products. The volumetric dosing guarantees high reproducibility of filling weight and process cycle. The TSCA's multifunctional control via touch panel improves the synchronization of the filling process while

producing clip-paks[®]. Thus a higher accuracy of the filling volume is achieved. Quick-fixing systems ensure fast conversion for product changes. The practical design of the dosing unit permits easy disassembly and cleaning.

TSCA 65 D



TSCA 65 D/HDP 30



	TSCA 65 D	TSCA 65 D/HDP 30
Width:	1,450 - 1,900 mm	2,000 - 2,400 mm
Depth:	1,120 - 2,150 mm	1,120 - 2,150 mm
Height:	1,750 - 1,950 mm	2,300 - 2,500 mm
Weight:	640 kg	1,080 kg
Three phase current connection:	200-230 VAC, 380-460 VAC, 50 od. 60 Hz	
Power input:	3.6 kW	3.6 kW
Fuse connection:	16 A	16 A
Compressed air:	5-7 bar/0.5-0.7 MPa	5-7 bar/0.5-0.7 MPa
Air consumption:	2.5 NL/cycle	2.5 NL/cycle
Dosing volume:		700 ml
Hydraulic pressure:		max. 100 bar